

Free-Size Custom Running Bond Application Guide



CERACLAD Fiber Cement Siding
with Triple Coating Technology

20-Year Fade Limited Warranty | 365 Days/Year of Self-Cleaning



Design now
for installation
in the Spring
of 2024

Prototype photos for reference only. Actual layout pattern may vary according to your chosen design.

CERACLAD Free Size Custom Running Bond – Empowering You to Design Sustainable Buildings

Free Size Custom Running Bond System (Offset Joint) Features

- **Flexible design**

Panels can be cut to any length layout + 18" outside corner

- **Sustainable design**

Flexible size reduces waste

- **Caulk-Free system**

From corner to corner including outside corner

- **Field fabrication/shop drawings not required**

Installation-friendly system

- **Rainscreen plus water channel management**

New Caulk-free Vertical Gasket Joint system minimizes moisture infiltration

- **Complete System**

Waterproofing sealer, saw blade, cutting guide, and other accessories provided by CERACLAD

Fixed Size - 6' or 5' by 18" Panel

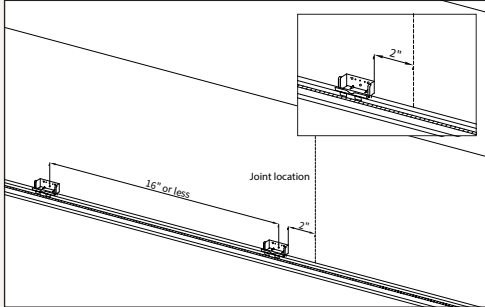


Mixed Size - From 10' to 18" Panel

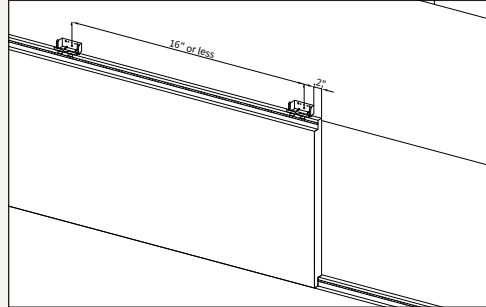


CERACLAD Free Size Custom Running Bond Installation Quick Guide

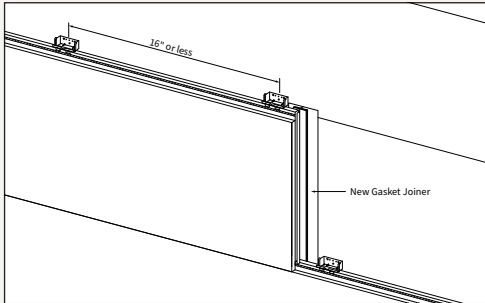
1. Install the first clip 2" away from vertical joint location so that it does not overlap gasket joiner, and install other clips at 16" on center or less.



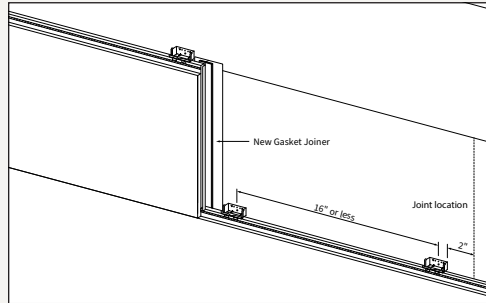
2. Install panel and install the clip 2" away from panel edge and install other clips at 16" on center or less.


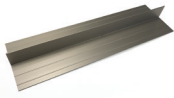


3. Loosen or unscrew last clip at panel end if necessary to fit gasket joiner at panel end.



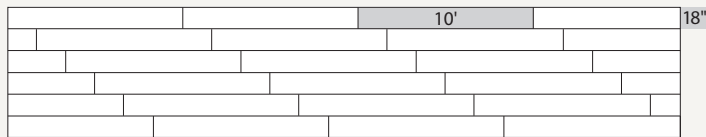
4. Install the clip 2" away from next vertical joint and install other clips at 16" on center or less.



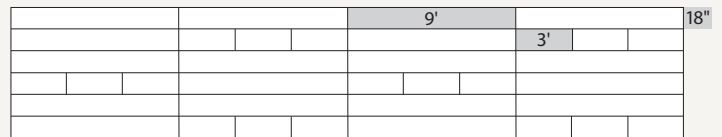
| Installation Accessories | |
|--|--|
| Panel Clip | Gasket Joiner |
|  |  |
| Touch-up Paint | Starter Bar |
|  |  |
| Waterproof Sealer | T-Joiner |
|  |  |
| Saw Blade | Cutting Guide |
|  |  |

Panel Layout Cases

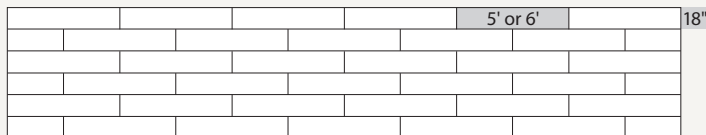
10' Horizontal Panel Layout



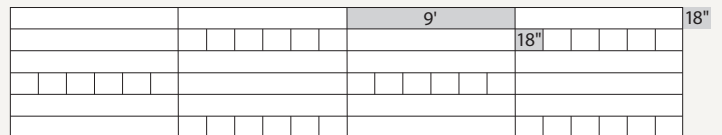
9' x 3' Horizontal Panel Layout



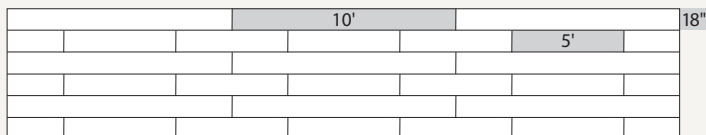
5' or 6' Horizontal Panel Layout



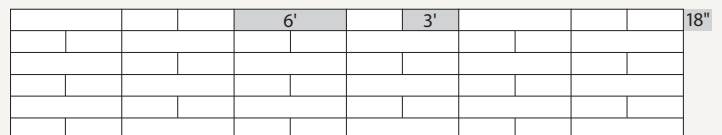
9' Horizontal Panel Band 18" Horizontal Panel Layout



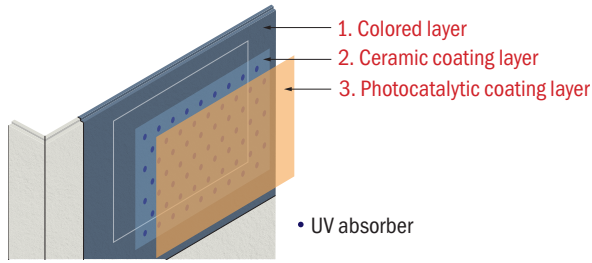
10' Horizontal Panel, 5' Horizontal Panel Layout



6' x 3' Horizontal Panel Layout



Triple Coating Technology



**20-Year Fade Limited Warranty
+ 365 Days of Self-Cleaning and Air Purifying**

Green Material

Recycled Materials

Consisting of approximately 45% recycled material, the panels are 100% recyclable, factory finished with no VOC, and contain no asbestos.



LIVING FUTURE
CORPORATE MEMBER

Rainscreen Moisture Management

Our exclusive technology combines a durable weather-resistant exterior with an internal ventilation layer that allows moisture to escape.



Product Description

CERACLAD is a fiber cement panel rain screen system manufactured by KMEW Co., Ltd. All panel products meet or exceed the standards of ASTM 1186 and ICC-ES AC-90. **CERACLAD** Hollow Core products are Type A, Grade I as defined in ASTM 1186.

| | |
|---|--|
| <p>FIRE AND COMBUSTIBILITY Summary of Test Methods US ASTME84, ASTME119, NFPA285, NFPA268 Canada ULC-S114, ULC-S135</p> | <p>TRANSVERSE LOADING Consult ICC-ESR 1627 code compliance report for Allowable Transverse Loads (design pressure/ ASD) with 3.0 safety factor applied.</p> |
|---|--|

Design Options

CERACLAD siding panels also come in a wide range of rich textures and colors and provide you with hundreds of possible combinations. And our exclusive **CREATIV™** custom color program allows you to order your components in colors that will match your exact specifications.

15 Standard Colors

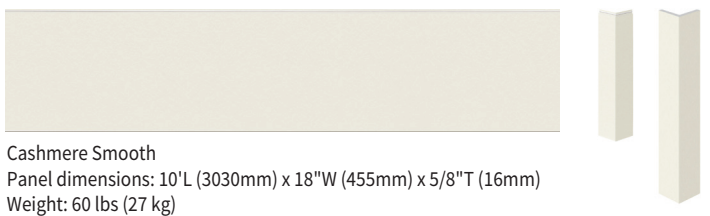
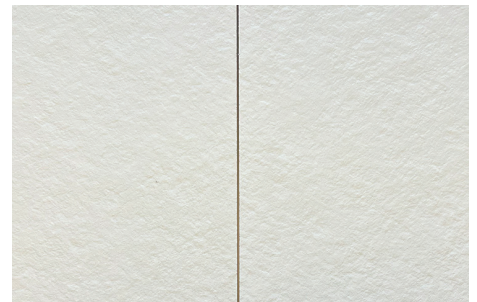


More Textures and Colors



Please visit ceraclad.com to see the latest textures and colors.

CERACLAD's T-jointer and L-jointer eliminate the need for caulking, achieving a clean, sleek surface in a more economical way



KMEW USA Inc.
8461 154th Avenue NE
Building G, Suite 100
Redmond, WA 98052

Office: (425) 883-9290
Web: Ceraclad.com